

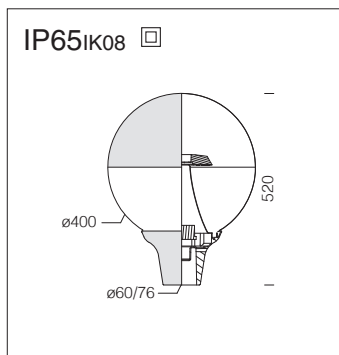
Base: in die-cast aluminium.

Globe: in shatterproof and self-extinguishing V2 polycarbonate, UV-stabilised and anti-yellowing. Excellent transparency for perfect light penetration.

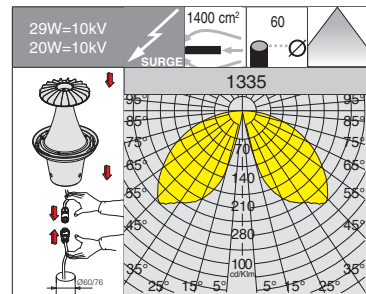
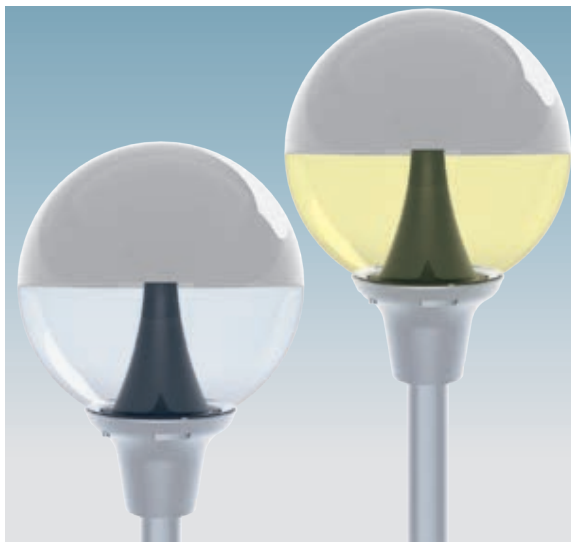
Central cone: in black painted aluminium against light pollution.

Equipment: safety diode to protect against voltage peaks compliant with EN 61547. With dedicated electronic device to protect the LED module. Complete with plug-socket for quick installation.

LED: Power factor ≥ 0.9 .
Luminous flux maintenance 80%: 50.000h (L80B20).

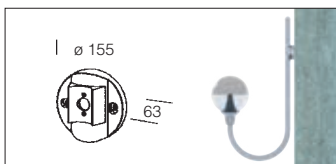


On request: available 2200K/2700K versions.



1335 Globo - anti-light pollution					
		CLD CELL		LUMEN OUTPUT (tq= 25 °C)	
wattage	colour	weight	code	W tot	K - olm - CRI
LED	silver	4,50	425600-00	29	4000K - 2119lm - CRI 80
LED	silver	4,50	425600-39		3000K - 1971lm - CRI 80
LED	silver	4,50	425601-00	20	4000K - 1380m - CRI 80
LED	silver	4,50	425601-39		3000K - 1283lm - CRI 80

acc. 1361 wall mounting	
grey	426987-00
Die-cast aluminium spacer and base. To install arms acc 1362.	



acc. 1362 upward arm	
1000 grey	426906-00
1500 grey	426907-00
Steel.	

